

**SCREEN**

# FT-R3035 FT-R3050

Capstan Color Recorders

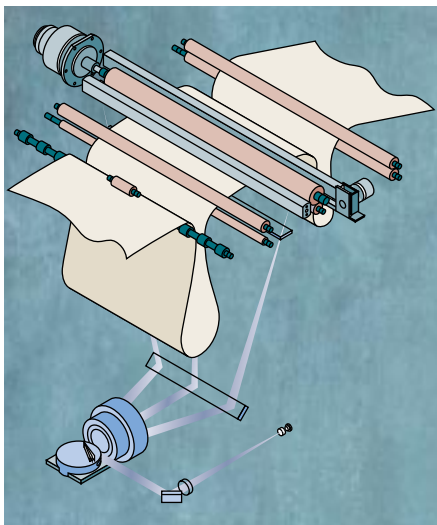


# Lightning Fast, Razor S

*Images that leap out of the printed page! Type so sharp you can cut your fingers on it! From your desktop to completed film in record-breaking time — and under budget!*

*It's all yours now with the FT-R3035 and FT-R3050, the exciting new imagesetters from Dainippon Screen.*

*Offering a combination of quality, productivity and reliability unmatched in their class, the cost-effective FT-Rs easily surpass the most stringent production requirements.*



*Inside the FT-Rs a diode-generated laser beam is reflected onto the imaging media by a multi-facet polygon mirror rotating at high speed. A specially designed lens eliminates the effects of any wobble in the imaging system, though very little is generated to begin with, thanks to high-precision machining and components.*

*Furthermore, a unique lens system focuses the laser beam both before and after reflection to keep the laser spot uniform no matter where it falls on the media. The multi-facet polygon mirror enables extremely fast imaging.*

FT-R3035/3050



# Sharp Output

## Choice of Formats

Choose the format that meets your needs. The FT-R3035 accepts materials up to 406 mm (16") wide. The FT-R3050 can take materials up to 558 mm (22") wide.

## Dazzling Quality

Both FT-Rs offers six resolution settings, ranging from 1,000 dpi all the way up to 3,000 dpi, combined with extremely high accuracy. And, depending on your choice of software RIP, they support Screen's unique AlphaLogic screening system.

## Amazing Throughput

The FT-Rs image at astonishing speeds, thanks to their capstan design and high-speed spinning polygon mirror. The FT-R3035 takes just 15 seconds to image an A3 wide sheet, while the FT-R3050 can image an A2 wide sheet in an

impressive 22 seconds\*. The FT-Rs' world-class imaging speeds assure remarkably high productivity.

## They Even Do Plates!

The FT-R series recorders use a red laser-diode light source to expose He-Ne sensitive photographic film and paper. They can also expose Mitsubishi's Silver DigiPlate media, so you can bypass film and go from the imagesetter straight to the press!

## Solid Reliability

Dainippon Screen drum scanners and film recorders are world famous for their outstanding reliability. The FT-R series recorders are designed and built with the same craftsmanship and attention to detail, and are backed by the same dedication to total customer satisfaction.

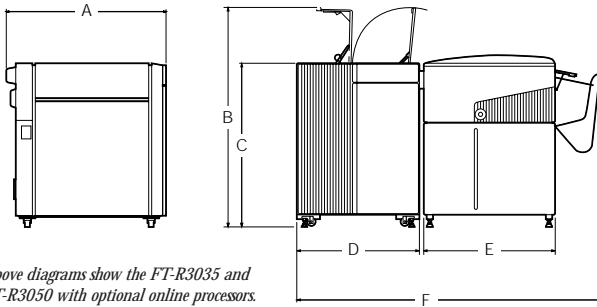
## Productivity Extras

The FT-Rs can be fitted with your choice of industry standard register punch, to ensure accurate registration with no fuss. And if you're tired of interrupting your work to process materials, perfectly matched online film processors are also available.

*\* At 1,000 dpi, not including RIPping time*



## Space Requirements



Note: Above diagrams show the FT-R3035 and FT-R3050 with optional online processors.

## Dimensions

### FT-R3035

	A	B	C	D	E	F
mm	768	1320	975	750	815	1880
inches	30.2	52.0	38.4	29.6	32.1	74.1

### FT-R3050

	A	B	C	D	E	F
mm	920	1320	975	750	815	1880
inches	36.2	52.0	38.4	29.6	32.1	74.1

## Specifications

	FT-R3035		FT-R3050	
Exposure system	633 nm laser diode, polygon mirror			
Resolutions	1,000, 1,200, 1,500, 1,800, 2,400 and 3,000 dpi			
Repeatability	± 0.025 mm (± 0.99 mil) on overlaying sheets (may vary with media and processing conditions)			
Material types	He-Ne sensitive film or paper, Mitsubishi Silver DigiPlate			
Material widths	He-Ne sensitive film or paper	Mitsubishi Silver DigiPlate	He-Ne sensitive film or paper	Mitsubishi Silver DigiPlate
	203 mm (8")	254.0 mm (10")	355 mm (14")	404.0 mm (15.9")
	254 mm (10")	324.0 mm (12.8")	406 mm (16")	508.0 mm (20")
	305 mm (12")	404.0 mm (15.9")	457 mm (18")	550.0 mm (21.7")
	355 mm (14")		508 mm (20")	558.0 mm (21.9")
Max. imaging widths	355 mm (14")	340 mm (13.3")	508 mm (20")	490 mm (19.2")
Material roll length	61 m (66.7 yds.)	Polyester base :	61 m (66.7 yds.)	Polyester base :
		30.5 m (33.3 yds.) for SDP-FHN 175		30.5 m (33.3 yds.) for SDP-FHN 175
		SDP-FR 175		SDP-FR 175
		61.0 m (66.7 yds.) for SDP-FHN 100		61.0 m (66.7 yds.) for SDP-FHN 100
		SDP-FR 100		SDP-FR 100
		Paper Base :		Paper Base :
		40.0 m (43.7 yds.) for SDP-RHN 175		40.0 m (43.7 yds.) for SDP-RHN 175
		55.0 m (60.1 yds.) for SDP-RHN 125		55.0 m (60.1 yds.) for SDP-RHN 125
Material output	Cassette or online processor			
Output cassette capacity	30 m (32.8 yds.)	2.5 m (2.7 yds.)	30 m (32.8 yds.)	3.2 m (3.5 yds.)
Compatible RIPs	AD-310PM, HQ-310PM, HQ-310PC, T-RIP500			
RIP interface	SCSI-2			
Input page buffer	2 hard disks			
Weight	120 kg (264 lbs.)		160 kg (352 lbs.)	
Environment	23 ± 5°C (73.4 ± 8.3°F), 50-70%RH			
Power requirements	Single phase 85-132V 0.75kW or single phase 170-265V 0.75kW			
Punch unit (optional)	Stoesser or Screen pin systems		Stoesser, Bacher, Protocol or Screen pin systems	
Online processor (optional)	LD-T1040		LD-T1060	

- Power Macintosh is a trademark of Apple Computer, Inc.
- Adobe is a trademark of Adobe Systems Incorporated, which may be registered in certain jurisdictions.

## DAINIPPON SCREEN MFG. CO., LTD.

### HEAD OFFICE

• Teranouchi-agaru 4-chome, Horikawa-dori, Kamigyo-ku, Kyoto, 602-8585 Japan/Phone 075-414-7610/Fax 075-4311-3410

### SCREEN (USA)

• 5110 Tolivon Dr., Rolling Meadows, IL 60008, U.S.A./Phone 847-870-7400/Fax 847-870-0149

### EUROPEAN HEADQUARTERS

• Mündelheimer Weg 39, 40472 Düsseldorf, Germany/Phone 0211-472702/Fax 0211-4727299

• Mündelheimer Weg 39, 40472 Düsseldorf, Germany/Phone 0211-472701/Fax 0211-4727199/Telex 858-4438 DSDD D

### DAINIPPON SCREEN (U.K.) LTD.

• Colindale Lane, London NW9 1BZ, United Kingdom/Phone 0181-358-4000/Fax 0181-358-4001/Telex 27122 DSNLON G

### DAINIPPON SCREEN (NEDERLAND) BV

• Bouwerij 4b, 1180XX Amstelveen, Holland/Phone 020-6433626/Fax 020-6403209/Telex 15166 DSBN NL

### DAINIPPON SCREEN (BELGIUM)

• Buro & Design Center, Heizel Esplanade Bus Nr. 54, 1020 Brussels, Belgium/Phone 02-476-1414/Fax 02-476-1313

### SCREEN FRANCE

• Zone Industrielle de Paris Nord II 12, rue des Chardonnerets - Bâtiment A F-93410 TREMBLAY FRANCE/Phone 1-48-117-86-00/Fax 1-48-117-86-01

### DAINIPPON SCREEN SINGAPORE PTE. LTD.

• 29, Kim Road, Singapore, 328114/Phone 2553377/Fax 2594888

### DAINIPPON SCREEN (HONG KONG) LTD.

• 8th Floor, New Bright Bldg., 11 Sheung Yuet Road, Kowloon Bay, Kowloon, Hong Kong/Phone 2953-0038/Fax 2755-8683

• Beijing office /Phone 010-6505-4874, 4876, 0405/Fax 010-6505-4875 (China)

• Shanghai office /Phone 021-6329-2064-66, 6320-3742/Fax 021-6320-2351 (China)

• Chengdu office /Phone 028-779-0051, 779-0052/Fax 028-777-6049 (China)

### DAINIPPON SCREEN (TAIWAN) CO., LTD.

• #F No. 126-1, Ming Tai West Rd., Taipei, Taiwan/Phone 02-25862711/Fax 02-25914367

### DAINIPPON SCREEN (AUSTRALIA) PTY. LTD.

• Unit 2, 207-209 Young Street, Waterloo, NSW 2017, Australia/Phone 02-9310-1314/Fax 02-9310-3566

• Internet web site <http://www.screen.co.jp/>

• Printed on recycled paper.



We reserve the right to alter product design and specifications without prior notice.